

Pleasure, Leisure and 'Other' Show Schedule

including

NZEPS 2023

Champion of Champions

Saturday 15 April 2023

Wanganui Racecourse

**Pub
Charity**[™]
Limited



Gilmore Farms



EVOEVENTS

www.nzequestrianpleasuresociety.com

ENTRIES CLOSE 9PM WEDNESDAY 12TH APRIL - NO LATE ENTRIES ACCEPTED

CONTACT & GENERAL INFORMATION

Organising Committee:

Leeanne Morrison (Chief Steward) 027 324 0294

Heather Shore

Libby Macdonald-Gray

Janene Pope (Event Secretary) 027 453 5196

Email – nzeps2022@outlook.com

Entries – via EvoEvents www.evoevents.co.nz

Payments – Poli via EvoEvents or DC to our account only

NZEPS 06 0730 0328163 00

Name and entry reference please on all DC payments

No cash payments taken or late entries

First Aid Station – located at the Secretary's Office (See Page 6)

Vet/Farrier – there will not be a vet or farrier on site

Yards/Boxes – to book please contact the Wanganui Jockey Club directly for both bookings and payments

Track manager – Craig Osman

021 234 8576

cmp.osman@gmail.com

Food/Coffee – this will be available to purchase at the Show.

Coffee & Drinks/Muffins & Sandwiches

at this stage

We will keep you posted on our Facebook page for any updates



NZEPS PLEASURE LEISURE AND OTHER SHOW





Pleasure, Leisure & `Other' Show
15 April 2023

\$5

RAFFLE TICKETS



*** Be in to win a hamper of goodies ***

All proceeds go towards assisting those affected by Cyclone Gabrielle

Tickets available at the Show or can be added to your online entry via

EvoEvents... simply select how many you would like to buy

To be drawn on Show Day - 12noon

Winner will be contacted by text to collect from the Secretary



NZEPS PLEASURE LEISURE AND OTHER SHOW

for full details of our donation after the Show has been held.

Donations can be made also via your EvoEvents entry.

SATURDAY 15TH APRIL 2023

RING TIMETABLE

	PAGE
10.30am	
RING 1	
Show Pleasure Ponies	9
RING 2	
Leisure—16 Years & under on Horse or Pony	13
RING 3	
`Other' – 16 Years & under on a Pony	14
RING 4	
Special Led Ring	15
Not Before 12.30pm	
RING 1	
Show Pleasure Hacks	9
RING 2	
Leisure—17 Years & over on Horse or Pony	13
RING 3	
`Other' – Hacks (including 17 Years & over on a Pony)	14
Not Before 2.30pm	
RING 1	
pony Champion of Champions	10/11
horse Champion of Champions	10/11



CONDITIONS OF ENTRY









1. **No late entries – all entries to be completed by 9pm Wednesday 12th April 2023.**
2. All entries must be completed via EvoEvents www.evoevents.co.nz
3. All competitors or legal guardians to acknowledge the exhibitor declaration on entry via EvoEvents.
4. Entry to the Wanganui Racecourse is through the Anson Street Gate. Please ensure your keep this gate closed at all times. No parking or riding on the track, use only the designated areas.
5. **Gates open at 9am, no admittance before this time. Please do not arrive before this time and queue, this causes congestion on Carlton Avenue and becomes a Health & Safety issue.**
6. **Safety Helmets: Please abide by new ruling from RAS and ESNZ.**
7. The `Other` Ring is open to showing types, hunters, TBs, SBs etc. No Height Certificates are required.
8. Ponies may be ridden by riders of any age in the Leisure and `Other` Sections— please refer to the Classes for details.
9. Best Hunter Type or Best Show Type must be selected on entry—you may only enter one.
10. Back numbers must be worn in the Show Pleasure Section only. You will be required to provide your own, we will not supply these to you.
11. **Stallions and Colts:** All stallions or colts to be shown in a bit, clearly identified and with 2 handlers (one of which must be over 18yrs). No stallions or colts to be left unattended at any time.
12. Except Show Pleasure, any bit or saddle type is accepted as long as it is safe. Any unruly animals may be asked to leave the ring for safety reasons. The judge has the discretion to check any gear before or during the classes for safety or suitability.
13. **Show Pleasure : All classes are open to Riders and Horses/Ponies currently registered with NZ Equestrian Pleasure Society ONLY. Please have your passport available for completion for Title Qualification.**
14. **LEGAL LIABILITY:** Our Association's Public Liability policy does not cover Competitors or Exhibitors. Each Exhibitor is responsible for their own Liability Insurance and must supervise and control their animals at all times. Exhibitors must comply with Animal Legislation and Health & Safety at Work Act 2015 and subsequent amendments.
15. **ALL DOGS** to be on leash. A \$50 fine will be imposed on anyone who's dog is loose on the grounds.
16. **SHOW LEVY:** \$5 per mount.
17. **REFUNDS:** Requests to be made by email and will be less any applicable EvoEvents fees. Refunds will be paid online so please ensure your current bank account details are verified with EvoEvents should you require a refund.
14. **PROTESTS:** Every objection or protest must be made in writing within 30 minutes of the Class in question, signed by the person making complaint and delivered to the Secretary. A \$50 must be paid which shall be forfeited to the NZEPS should the objection be considered frivolous or vexatious. The deposit will be refunded if protest is upheld.
15. **START TIMES:** Are approximate and will be adhered to as closely as possible.



HEALTH & SAFETY

Helmet Tagging

All riders must wear appropriate footwear and a Hat/helmet that conforms with one of the current approved safety standards. RAS will advise any changes via their website and Facebook. All hats/helmets that conform must be identified by the current tag system implemented by NZPCA, ESNZ and RAS.

Helmet Standard	Safety Mark	Allowed at the following activities:
PAS 015: <u>1998</u> or 2011 (or later) with BSI Kitemark or IC mark	 or 	All Activities
VG1 01.040 (2014-12 or later) - Must carry BSI kitemark or IC mark from August 2023	 or 	All Activities
Snell <u>E2001</u> , E2016 (or later) with the official Snell label and number	 or 	All Activities
ASTM-F1163 2004a (or later) with the SEI mark		All Activities
AS/NZS 3838 <u>1998, 2003</u> , 2006 (or later)		All Activities

These standards may be subject to change but the latest list can be found at:

<https://www.ras.org.nz/equestrian/health-and-safety/>.

Falls/Concussions and Reporting

The NZEPS follows the RAS/ESNZ guidelines in regard to helmets, falls, concussion and injury reporting.

Whilst we will provide basic first aid—a First Aid Certificate held by a designated person and a basic first aid kit and suitable covered facility if required—in the event of a fall, in any part of the grounds including warm up areas and parking, the rider will be responsible for their own decision to remount.

If an injury is sustained that requires further treatment, the Committee will call for necessary medical assistance and the appropriate record of the event will be completed.

The rider/injured party is responsible for ensuring appropriate follow up treatment is sought following this event.

Riders/Spectators enter the grounds at their own risk

The First Aid Area is located at the Show Secretary's Office

HELMET TAGGING




TAG PLACEMENT
Wrap the helmet "tag" around the harness, high up, so it is visible, but out of the way. Please wrap it around the left side harness where possible.



HELMET STANDARDS ARE USUALLY FOUND IN THE HELMET'S LINING:

-  on an info tag;
-  direct onto the lining;
-  or on a sticker.



PLEASURE HORSE/PONY SHOWING RULES

For more information and go to
www.nzequestrianpleasuresociety.com

1 August 2022 to 31 July 2023

Pleasure Horse/Pony means those animals who do not fit the mould of a Show Horse/Pony. We welcome any breed (e.g. Appaloosas, Quarter Horses, Standardbreds, Clyde X) and colour.

They should be an uncomplicated and genuine pleasure to ride and whilst they do not possess the same quality conformation of a show horse, they should in their own way be a delight to ride, with impeccable manners.

A “pleasure mount” is NOT an inexperienced mount with show quality conformation who is destined for the open show ring.

GENERAL RULES

1. From 1 August 2015, for a horse/pony to meet the annual title show qualification requirements they must be registered with NZEPS.
2. Horse/ponies must never have placed first in an open show ring class including working hunter. However, members may apply for dispensation to NZEPS.
3. **Please note** – open show ring includes wins in novice classes in a ring defined open i.e. saddle hunter, park hack etc this also includes NZ Show Council and Showing Championships.
4. Riders may be registered with other bodies.
5. Riders may have competed outside the Pleasure Horse/pony section.
6. Riders in Pony classes must be under 17yrs (proof of rider’s age may be requested). Age is taken as at 1st August.
7. Children riding hacks must compete in the Horse Classes.
8. Adults may ride ponies in Horse Classes without prejudice.
9. Pleasure mounts may compete in recognised breed and colour classes i.e. Welsh and Pinto classes but should not compete in Royal Agricultural Society (RAS) led classes i.e. Sport Horse, Thoroughbred or led pony sections.
10. Stallions may compete in this section however it is up to the discretion of each show committee as to whether they choose to allow stallions on site.



EQUIPMENT








11. **Bits** – Ordinary snaffle bit as per Dressage NZ definition only, no poll action (refer to appendix 1). No bit guards.
12. **Bitless bridles** – are only permitted in Recreational pleasure classes.
13. **Nosebands** – Only cavesson nosebands are permitted no strapping below the bit.
14. **Whips** – may be carried but must not exceed 76cms in length.
15. **Helmets** – all riders must wear a 3–point harness helmet conforming to the current NZ Safety Standard or an equivalent standard and be red tagged.
16. **Spurs** – are not to be worn.
17. **Other** – No shadow rolls, ear plugs/muffs or bonnets, martingales or tie downs (breast plates and number holders are allowed).
18. **Use of illegal gear at events prior to competition in a pleasure class** – No pleasure mount shall present to the ring i.e. warmup area directly before pleasure showing classes, this includes the use of dressage whips spurs or other gadgets.

Appendix 1




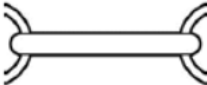




Excerpt taken from the DNZ rule books definition of ordinary snaffles:

Bits

Cheek Pieces:

		
Ex. of Loose Ring cheek	Ex. of Eggbutt cheek	Ex. of D-Ring cheek
		
Ex. of upper cheek	Ex. of full cheek	Ex. of hanging cheek
		
Ex. of Fulmer cheek		

Mouthpieces:

		
Ex. of single jointed mouthpiece	Ex. of double jointed mouthpiece	Ex. of double jointed mouthpiece
		
Ex. of unjointed mouthpiece	Ex. of barrel joint	
		
Ex. of double ball joint		
		
Ex. of centrepiece with a roller		

SHOW PLEASURE – RING 1

SECTION IS A TITLE QUALIFIER

Entry Fee—\$30 Blanket Fee

Ribbons only to 6th place

RULES:

1. Run under NZEPS rules (see pages 6&7)
2. Go to www.nzequestrianpleasuresociety.com for all rules and application for membership.
3. **Open to members and currently registered horses/ponies of NZEPS only.**
4. **Select Class 100 or 200 when entering.** Maximum of 15 in each ring.
5. Back numbers are required to be worn—numbers will be issued after close of entries via EvoEvents and emailed.
6. The NZEPS Organising Committee reserves the right to make changes/alterations to the programme as required.

CLASS 100 – PONIES — 10.30AM

101. Turn Out
102. Best Walk
103. Best Trot
104. Best Manners
105. Best Learner's Mount
106. Best Combination
107. Best Rider—class will be split on age

Champion and Reserve Champion Show Pleasure Pony

Judged from Winners of Classes 102 to 106

Second placed pony to the Champion to be judged alongside the remaining winners for Reserve Champion

CLASS 200 – HACKS — NOT BEFORE 12.30PM

201. Turn Out
202. Best Walk
203. Best Trot
204. Best Manners
205. Best Learner's Mount
206. Best Combination
207. Best Rider

Champion and Reserve Champion Show Pleasure Hack

Judged from Winners of Classes 202 to 206

Second placed Hack to the Champion to be judged alongside the remaining winners for Reserve Champion



SHOW PLEASURE – RING 1

CHAMPION OF CHAMPIONS

Entry Fee—\$15

1st to 6th place sashes

RULES:

1. Run under NZEPS rules (see pages 7&8)
2. Open to any combination that qualified for 2023 LRHOY (didn't have to be entered to LRHOY)
3. The 2023 LRHOY workout is to be used for both ponies and horses.
4. Order will be selected prior to show date.
5. Workouts will be judged by 2 judges over score sheets.
6. Placings to 6th will be awarded.
7. Combinations that were entered into Pleasure at LRHOY are able to enter the Champion of Champions free of charge.
8. The #46 Pleasure Points Series will not include points from this section.

CLASS 800 – PONIES – INDIVIDUAL WORKOUT

Placed 1st to 6th

Champion to receive a Garland & Rug

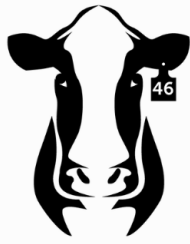
CLASS 900 – HACKS — INDIVIDUAL WORKOUT

Placed 1st to 6th

Champion to receive a Garland & Rug



#46 Pleasure Horse



Gilmore Farms

& Pony Points Series

To be eligible you must attend both
shows in the Show Pleasure Classes

NZEPS Pleasure, Leisure & `Other' Show
Saturday 15th April 2023

Wanganui Tri Series
Sunday 16th April 2023

Proudly Sponsored by Gilmore Farms

2 Title Qualifying Opportunities at the
same venue over the weekend!!

Go to  Wanganui Tri Series
for more information

Sashes will be awarded on Sunday
at the Wanganui Tri Series Show

LEISURE SECTION – RING 2

Entry Fee—\$30 Blanket Fee

Ribbons only to 6th place

RULES:

1. Open to all Recreational and Leisure Riders
2. **Select Class 300 or 400 as the class for entry.** Maximum of 15 in each ring.
3. Back numbers are not required in this ring.
4. The NZEPS Organising Committee reserves the right to make changes/alterations to the programme as required.

CLASS 300 – 16 YEARS AND UNDER ON A HORSE OR PONY — 10.30AM

301. Care & Attention
302. Best Walk
303. Best Trot
304. Most Suited for Trekking and Leisure Activities
305. Best Learner's Mount
306. Best Combination
307. Best Rider—class may be split on age

Champion and Reserve Champion Leisure Section—Rider 16 Years & Under

Judged from Winners of Classes 302 to 306

Second placed horse/pony to the Champion to be judged alongside
the remaining winners for Reserve Champion

CLASS 400 – 17 YEARS AND OVER ON A HORSE OR PONY

NOT BEFORE 12.30PM

401. Care & Attention
402. Best Walk
403. Best Trot
404. Most Suited for Trekking and Leisure Activities
405. Best Learner's Mount
406. Best Combination
407. Best Rider

Champion and Reserve Champion Leisure Section—Rider 17 Years & Over

Judged from Winners of Classes 402 to 406

Second placed horse/pony to the Champion to be judged alongside
the remaining winners for Reserve Champion



`OTHER' SECTION – RING 3

Entry Fee—\$30 Blanket Fee

Ribbons only to 6th place

RULES:

1. Open to Showing Types—hunters, TBs, SBs etc.
2. No Height Certificates are required.
3. Adults may ride ponies in the Hack Ring.
4. **Select Class 500 or 600 as the class when entering.** Maximum of 15 in each ring.
5. *Classes 504 & 505 / 604 & 605 — you must also select only one when entering.
6. Back numbers are not required in this ring.
7. The NZEPS Organising Committee reserves the right to make changes/alterations to the programme as required.

CLASS 500 – 16 YEARS AND UNDER ON A PONY — 10.30AM

501. Turnout
502. Best Walk & Trot
503. Paced & Mannered
504. Best Hunter Type*
505. Best Show Type*
506. Best Combination
507. Best Learner's Mount
508. Best Rider—class may be split on age

Champion and Reserve Champion `Other' Type Pony

Judged from Winners of Classes 502 to 507

Second placed pony to the Champion to be judged alongside
the remaining winners for Reserve Champion

CLASS 600 – HACKS (INCLUDING 17 YEARS & OVER ON A PONY)

NOT BEFORE 12.30PM

601. Turnout
602. Best Walk & Trot
603. Paced & Mannered
604. Best Hunter Type*
605. Best Show Type*
606. Best Combination
607. Best Learner's Mount
608. Best Rider

Champion and Reserve Champion `Other' Type Hack

Judged from Winners of Classes 602 to 607

Second placed horse/pony to the Champion to be judged
alongside the remaining winners for Reserve Champion



SPECIAL LED SECTION – RING 4

Entry Fee—\$20 Blanket Fee

Ribbons only to 6th place

RULES:

1. Open to all learner riders on a lead.
2. **Select Class 700 as the class for entry.** Maximum of 15 in each ring.
3. Back numbers are not required in this ring.
4. The NZEPS Organising Committee reserves the right to make changes/alterations to the programme as required.

CLASS 700 – 10.30AM

701. Care & Attention

702. Best Walk

703. Best Trot

704. Most Suitable as a Learner's Mount

705. Best Combination

706. Best Ponyclub Type

707. Best Rider—class may be split on age

708. Judge's Choice

Champion and Reserve Champion Special Led Section

Judged from Winners of Classes 702 to 706

Second placed horse/pony to the Champion to be judged alongside
the remaining winners for Reserve Champion

